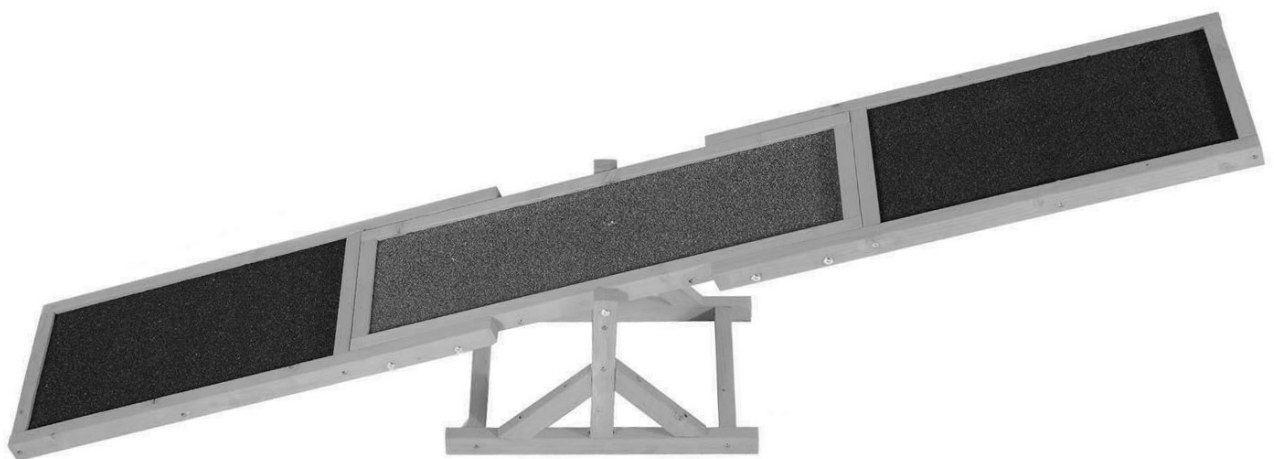
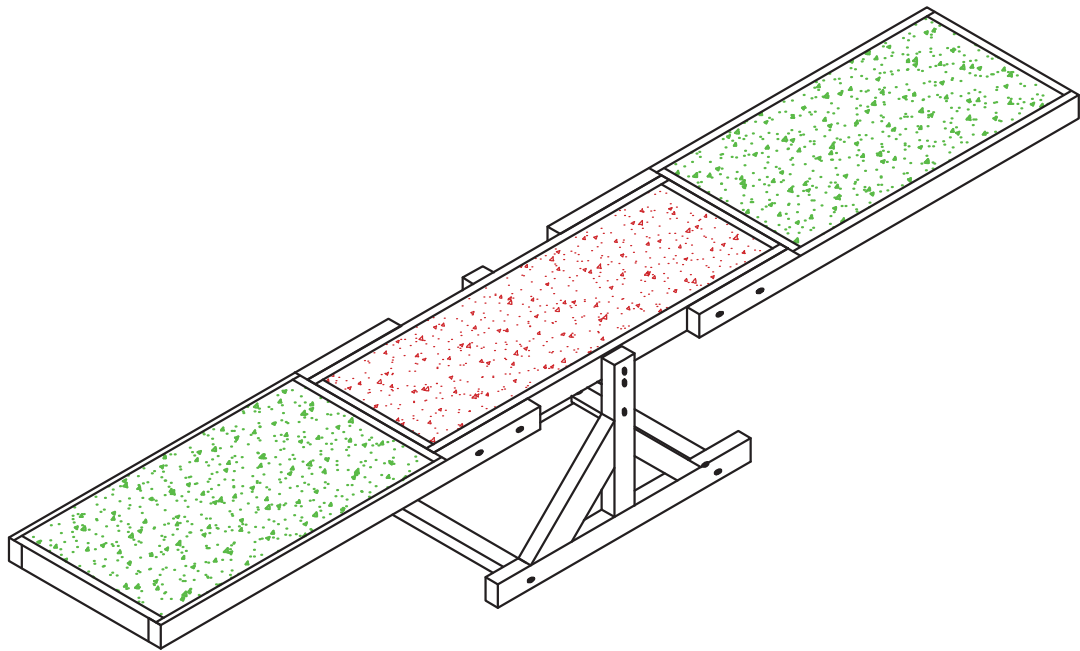


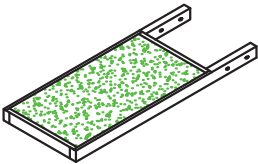
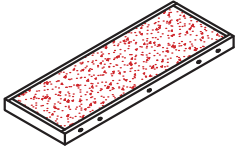
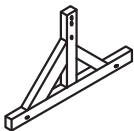



BITUX^X[®]

Hundewippe

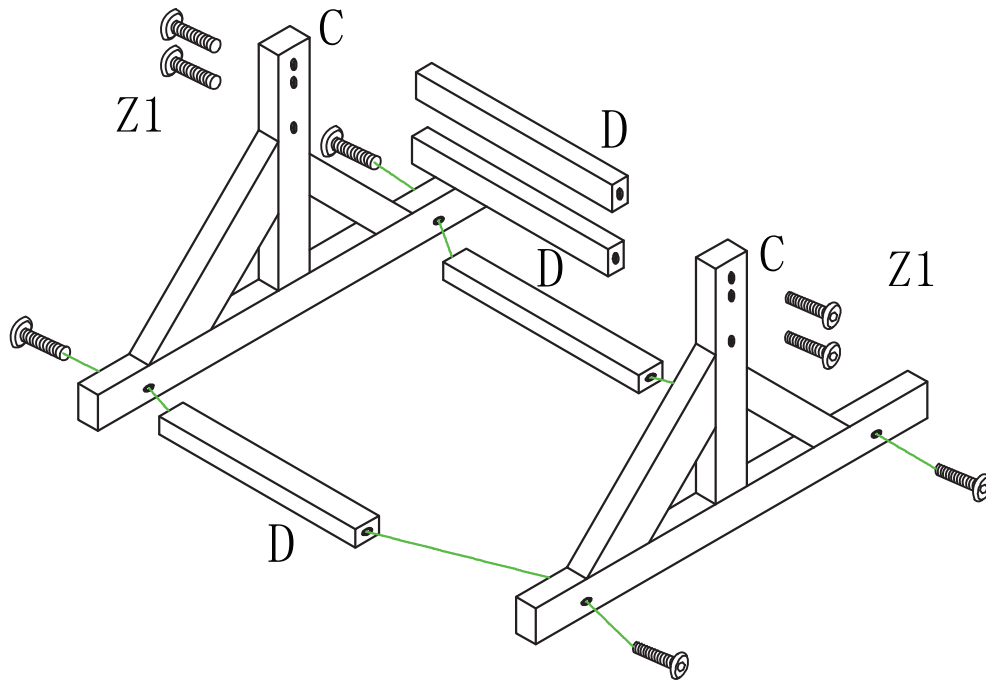


Maße:	180x30x30cm
Gewicht:	6 kg
Max. Belastbar:	ca. 50Kg



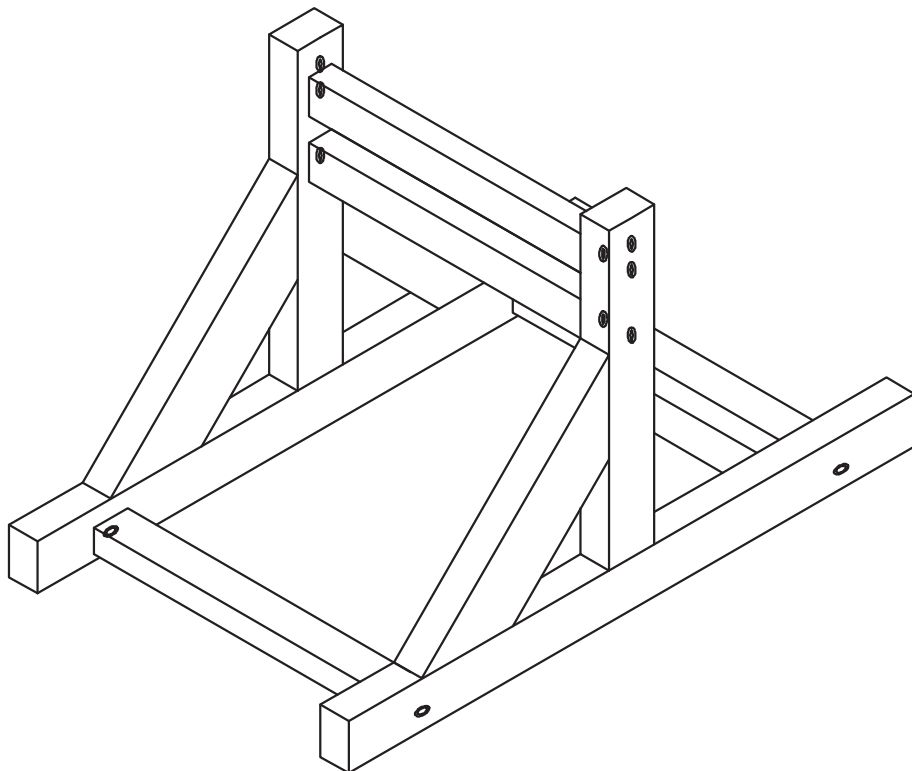
<p>A</p>  <p>2PCS</p>	<p>B</p>  <p>1PC</p>	<p>C</p>  <p>2PCS</p>		
<p>D</p>  <p>4PCS</p>	<p>Z1</p>  <p>18PCS</p>	<p>Z2</p>  <p>10PCS</p>		

1

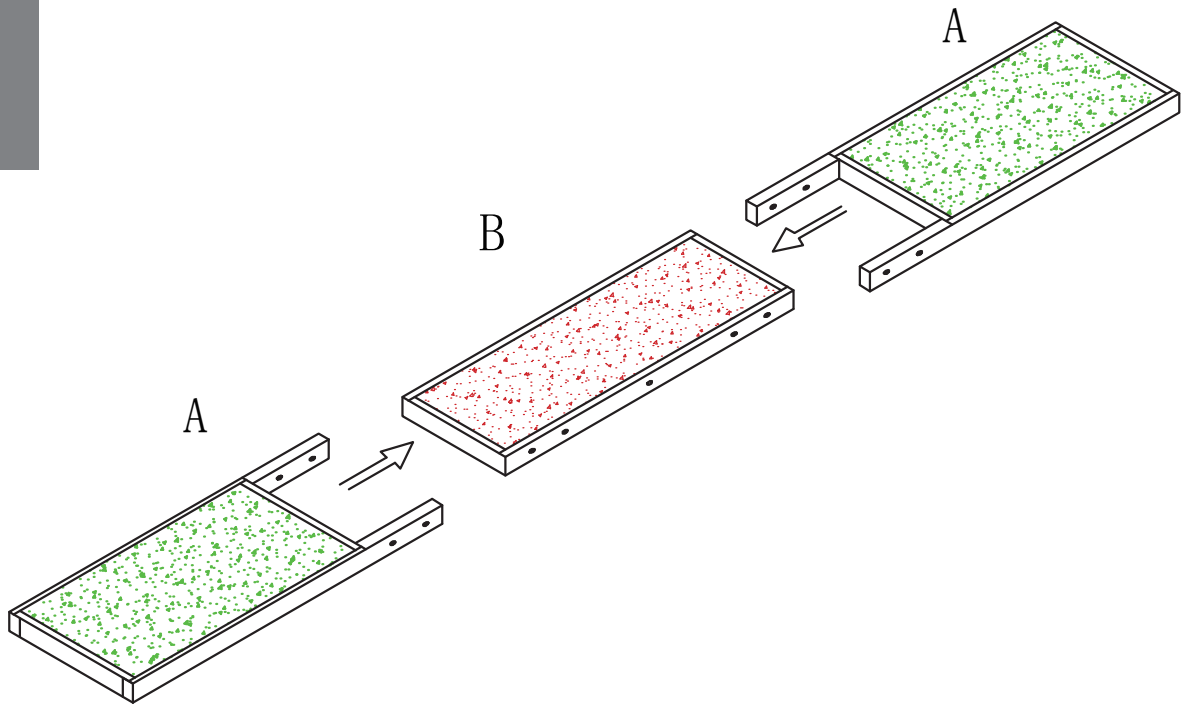


Z1:8PCS

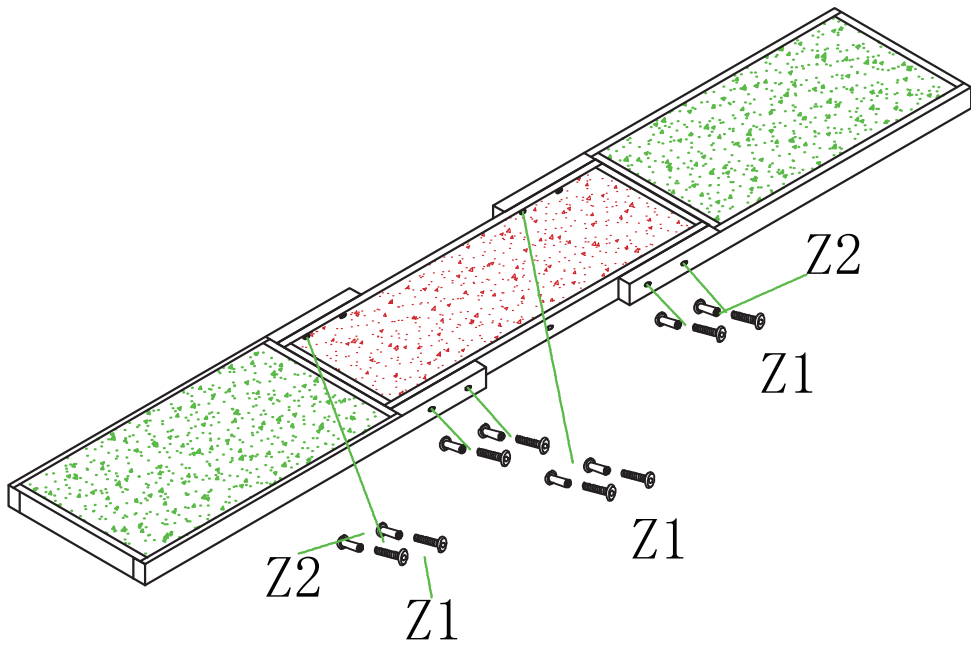
2



3



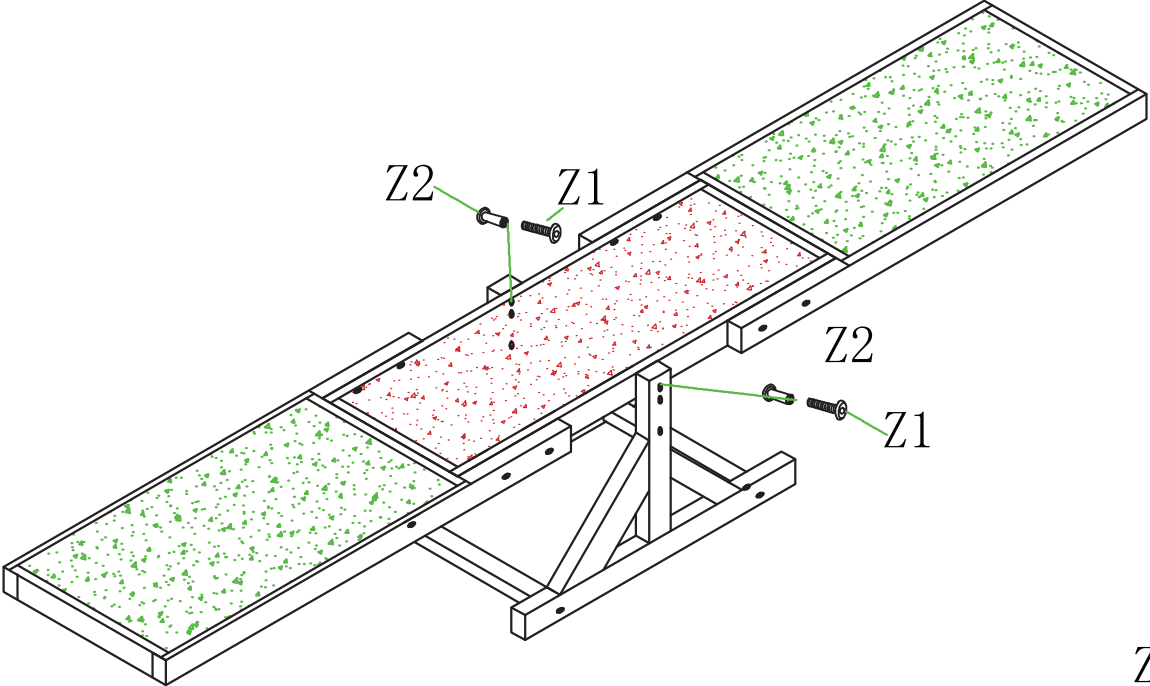
4



Z1: 8PCS

Z2: 8PCS

5



Z1: 8PCS

Z2: 8PCS

6

